

Ethernet Slip Rings

We are dedicated to provides the best & competitive solutions to valued customers



Expertise at your service

Beyo Ttransfer is a slip ring and rotary unions manufacturer for over 15 years, located in Hangzhou, China. We are a leading slip ring manufacturer, specializing in the design and production of high-quality rotary solutions for various industries. With a focus on precision engineering and cutting-edge technology, we provide reliable solutions to meet our customers' diverse rotational needs. We take pride in our commitment to excellence and customer satisfaction.

Our slip rings and rotary joints are applied from electronic industry and mechanical industry and automation and motion control industries from standard to customize, which produced under ISO9001:2015 and certificates of CE and RoHS etc.,.

Beyotransfer has many highly qualified engineers and product specialists make sure our quick response and professional advice to your individual requirements.

Test Equipments

Three coordinate Measuring



High and Low Temperature Test



High Voltage Insulation Test



Water Proof Test



Salt Spray Test



Dynamic Resistance Tester



Shock and Vibration Test



Life-span Test



Temperature Rise Test



Management&Service

Digital Model

Leveraging a solid theoretical foundation, Beyotransfer possesses expertise in material properties, friction brushes, current, and signal analysis. In the development of our platform products, we prioritize the utilization of our company's advanced algorithms to simulate and calculate the theoretical lifespan of slip rings.



Product Validation

We validate the theoretical lifespan derived from mathematical models through practical lifespan and performance testing of each product series.



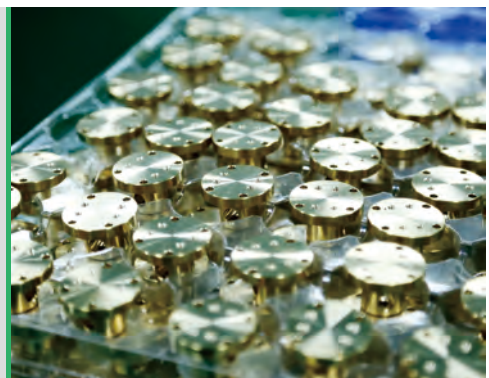
Design

A professional R&D team will develop detailed product schematic drawings based on the customer's actual requirements, utilizing advanced computer-aided design software. Through meticulous schematic design, R&D can provide accurate references for subsequent production processes, ensuring that the product quality and performance meet the customer's expectations.



Stringent quality control

Leading the industry through innovation, shaping the future through quality. With our professional R&D team, we are dedicated to continuous improvement and upgrades of materials, providing you with the latest and best products. We uphold rigorous quality control to ensure that every raw material meets the expected standard of perfection.



Management&Service

Machining

The company owns over a dozen advanced CNC machine tools for production. These CNC machine tools utilize computer control systems, allowing automated processing based on pre-set programs. This significantly enhances both production efficiency and product quality while ensuring the precision and consistency of each component. It lays a solid foundation for the final product quality.



Modular Spare Parts

By adopting a modular design approach for non-standard products, we are able to more flexibly meet individualized customer requirements while simultaneously reducing production costs and enhancing productivity. Our comprehensive spare parts inventory system ensures timely supply of required components, thereby facilitating smoother and more efficient production processes.



Assembly

Utilizing the principles of lean manufacturing, employing integrated design and assembly line operations to ensure high product quality, efficiency, and timely delivery.



Testing

We have a well-established quality management system with tight control over Incoming Quality Control (IQC), In-Process Quality Control (IPQC), and Outgoing Quality Control (OQC). We extensively utilize computer-controlled automated testing equipment to ensure high efficiency and high quality.



Our advantages

Superior Quality

We adhere to stringent quality standards throughout our manufacturing process to ensure that our slip rings meet and exceed industry benchmarks. Each slip ring is meticulously tested for durability, functionality, and reliability.



The Widest Range

Our extensive solutions comprises over 300 standard and 400 custom electrical rotary joint models, along with 100 standard and 150 custom fluidic rotary joint models, 100 standard of RF torary joints and fiber optical rotary joints, this wide array offers countless combinations to meet diverse requirements.



Cost Effective

A wide range of standard models and solutions ensures seamless integration with your specific applications, with extensive design expertise, we've successfully standardized custom solutions, ensuring top quality while significantly lowering costs at every stage. Experience the cost-effective advantage with our tailored offerings.



Customization

We offer a wide range of customization options to tailor our slip rings precisely to your unique requirements. Our team of engineers works closely with you to understand your application and design a slip ring solution that seamlessly integrates with your system.



Industries

Energy



Wind turbines
Single crystal furnace
Nuclear electricity generation
Small windmill

Heavy Equipment



Piling machinery
Fire-fighting equipment
Excavators
Port machinery
Cranes

Packaging



Food&beverage
Filling&labelling
Packaging
Capping
Scales

Recreation Facilities



Ferris wheel
Merry-go-round
Flying horse
Big pendulum

Charing Pile



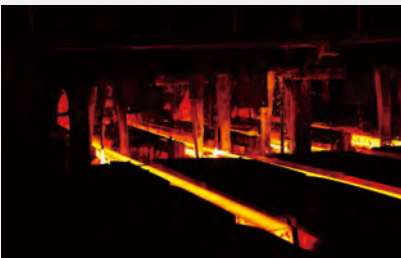
Charing Pile

Robotics



Industry robot
Legged robot
Welding robot
3D scanner robot

Metallurgical Equipment



Ladle turntable
Precision casting equipment
Hydraulic oil cylinder factory
Automated Metallurgical Production Line

Medical



Mobile tools
Pharm&beauty
Diagnosis
Radiology
Odontology

Converting



Rotogravure
Plane printing
Digital ink jet
Offset printing
Flexographic printing

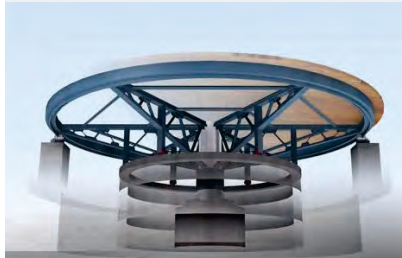
Industries

Cable Reel



Cable reels
Cable winches

Revolving Lighting&Door



Rotating stage
Rovolving doors
Rotating LED light

Cutting&Polishing Machinery



Cutting equipments
Automatic polishing equipments
Ceramic machinery
Stone machinery
Automatic diamond grinding machine

Surveillance&Video



CCTV cameras
Speed dome camera
Crawler
Underwater television

Machine Tool



Lathe machines
Machine centre
Press machines
Sheet metal forming
Electrical discharge

Measurement



Total station
Viscosity meter
Measurement instruments
Geological measuring instruments

Marine



Offershore

Radar&antenna



Radar
Broadcasting veichles
Unmanned Vehichles
Satellite systems

Military&Defense



Tank
Plane pod
Rotary table
Turret rotation system

BSE Series Ethernet Slip Ring



POWER&GIGABIT | ETHERNET | COST-EFFECTIVE | CUSTOMIZATIONS



BSE ETHERNET slip ring are specially design for 10/100 Mbps or Gigabit Ethernet trasmission, standard models can transmit 1~2 channels Gigabit Ethernet signal combine with 1~30 power rings(2~20A), customized solution support 1-10 channels Gigabit Ethernet signal combine with 1~100 power and signal rings, adopt fiber brushes gold to gold contact material with the advantages of reliable transmitting, no packet loss, low return loss and insertion loss.

Benefits

- Cost-effective
- Free maintenance
- IP 51 (IP54-IP68 can be customized)
- Integrated structure design for easy installation
- Standard model and customization are available
- Support Combination with RF/fiber optic rotary joint
- Stable transmit 1~10 channels Gigabit Ethernet signal
- Multi-point fiber brush contact material ensure long life and low friction

Main application

- Cable reels
- Packaging
- Rotary table
- Wind turbine
- Machine tools
- Capping machines
- Labeling machines
- Automatic machines
- Converting machines
- Exhibit / display equipment
- Medical,Pharmaceutical equipment
- Robotics, urgent illumination equipment

Product Quality Level Sheet

Quality level	Product level code	Lifespan
Common Quality	CQ	20 million revolutions
High Quality	HQ	50 million revolutions
Super Quality	SQ	80 million revolutions

Options For Custom Slip Ring

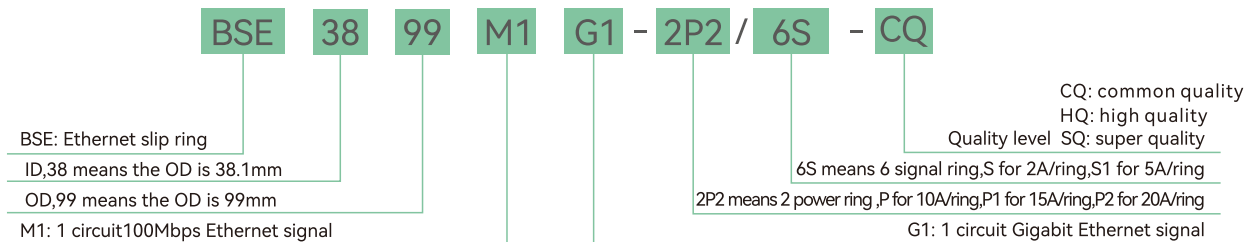
- Number of rings, support up to 300 rings
- Optional for flange mounting
- Position of wire outlet, wire length
- ID, OD, Height can be customized if structure limitation
- Aviation plug, terminal and heat-shrink tube are optional.
- High temperature can up to 500 degrees.
- High pressure can up to 110KV
- Rotating speed can up to 15,000RPM
- High current up to 5000 amperes.
- Protection level (dust and water)
- Optional for housing or structure material
- Support mixed high speed data transmission(including Ethernet, USB, Profibus, Ethercat, CANOPEN, CANBUS, RS232, RS485, etc.)
- RF/FORJ/Hybrid Pneumatic rotary union/hydraulic rotary union and electric slip ring can be mixed.

Wire Color Code

Rings#	1	2	3	4	5	6	7	8	9	10	11	12
Color	RED	YEL	BLK	BLU	GRN	WHT	PUP	GRY	BRN	ORN	DBLU	KHK
Rings#	13	14	15	16	17	18	19	20	21	22	23	24
Color	WHT -RED	WHT -BLK	WHT -BLU	WHT -PUP	WHT -BRN	WHT -GRN	WHT -ORN	WHT -GRY	WHT -RED	WHT -RED	WHT -BLU	WHT -GRN

Note: 24 wires for 1 group color, from 25~48, repeat the same color as 1 to 24.

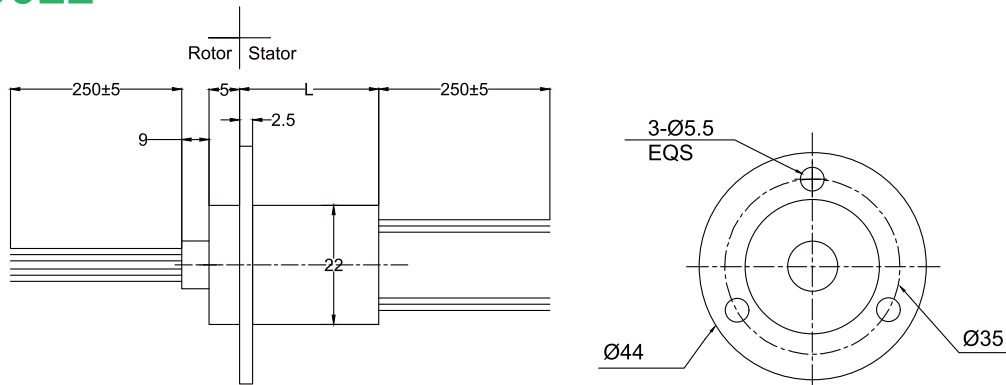
Part code



Standard Model for BSE Series

Model	ID(mm)	OD(mm)	Ethernet(100M/1000M)	Mixed Power/Signal Rings
BSE0022	0	22	1~2	1~24
BSE0025	0	25	1~2	1~48
BSE1254	12.7	54	1~2	1~32
BSE2578	25.4	78	1~2	1~36
BSE3899	38.1	99	1~2	1~36
BSE50120	50	120	1~3	1~72
BSE80180	80	180	1~4	1~72
BSE100203	100	203	1~5	1~72

BSE0022



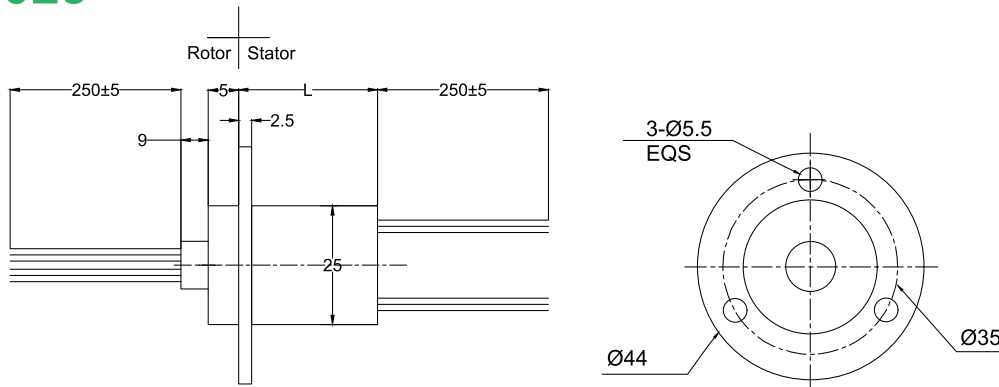
Specifications

Electrical Data		Mechanical Data	
No. Of Ethernet	1~2 channels	Connector	RJ45
Rated Voltage	0~240 VAC/VDC	Outer Diameter	22mm
Rated Current	2A/ring, 10A/ring, 20A/ring	Working Speed	0-300rpm
Lead Size	Sliver plated Teflon colour coded AWG26(2A), AWG22(5A), AWG14(20A)	Working Temperature	-20°C~+80°C
Lead Length	Standard 250mm (adjustable)	Working Humidity	60% RH or higher
Dielectric Strength	500VAC@50HZ,60S	Housing Material	Engineering plastic
Insulation Resistance	500MΩ/500VDC	Contact material	Gold to gold
Electrical Noise	< 0.01Ω	IP rating	IP51~IP65

Model list

Model	Rated Current			No. Of Ethernet		Length (mm)
	2A/Signal	5A/Signal	20A/Power	100M Ethernet	1000M Ethernet	
BSE220-M1-6S	6	0	0	1	0	25.6
BSE220-M1-2S1	0	2	0	1	0	25.6
BSE220-G1-3S	3	0	0	0	1	25.6
BSE220-M1-12S	12	0	0	1	0	33.4
BSE220-M1-2S1/4S	4	2	0	1	0	33.4
BSE220-M1-2P2/2S	2	0	2	1	0	33.4
BSE220-G1-8S	8	0	0	0	1	33.4
BSE220-G1-2S1	0	2	0	0	1	33.4
BSE220-M1-18S	18	0	0	1	0	41.2
BSE220-M1-2S1/10S	10	2	0	1	0	41.2
BSE220-M1-2P2/6S	6	0	2	1	0	41.2
BSE220-G1-14S	14	0	0	0	1	41.2
BSE220-G1-2S1/6S	6	2	0	0	1	41.2
BSE220-G1-2P2/2S	2	0	2	0	1	41.2
BSE220-G2-4S	4	0	0	0	2	41.2
BSE220-G2-2S1	0	2	0	0	2	41.2
BSE220-M1-24S	24	0	0	1	0	49.0
BSE220-M1-4S1/12S	12	4	0	1	0	49.0
BSE220-M1-6S1/6S	6	6	0	1	0	49.0
BSE220-M1-8S1	0	8	0	1	0	49.0
BSE220-M1-2P2/4S	4	0	2	1	0	49.0
BSE220-M1G1-14S	14	0	0	1	1	49.0
BSE220-G1-20S	20	0	0	0	1	49.0
BSE220-M2G1-10S	10	0	0	2	1	49.0
BSE220-G2-10S	10	0	0	0	2	49.0
BSE220-G2-2S1/4S	4	2	0	0	2	49.0

BSE0025



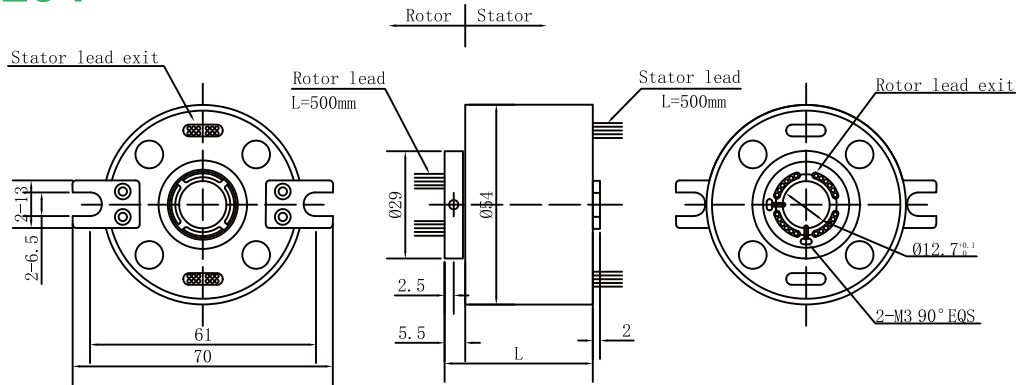
Specifications

Electrical Data		Mechanical Data	
No. Of Ethernet	1~2 channels	Connector	RJ45
Rated Voltage	0~240 VAC/VDC	Outer Diameter	25mm
Rated Current	2A/ring, 10A/ring, 20A/ring	Working Speed	0~300rpm
Lead Size	Sliver plated Teflon colour coded AWG26(2A), AWG22(5A), AWG14(20A)	Working Temperature	-20°C~+80°C
Lead Length	Standard 250mm (adjustable)	Working Humidity	60% RH or higher
Dielectric Strength	500VAC@50HZ,60S	Housing Material	Engineering plastic
Insulation Resistance	500MΩ/500VDC	Contact material	Gold to gold
Electrical Noise	< 0.01Ω	IP rating	IP51~IP65

Model list

Model	Rated Current			No. Of Ethernet		Length (mm)
	2A/Signal	5A/Signal	20A/Power	100M Ethernet	1000M Ethernet	
BSE250-M1-24S	24	0	0	1	0	51
BSE250-M1-2S1/20S	20	2	0	1	0	51
BSE250-M1-10S1	0	10	0	1	0	51
BSE250-M1-5S1/12S	12	5	0	1	0	51
BSE250-M1-2P2/8S	8		2	1	0	51
BSE250-G1-20S	20	0	0	0	1	51
BSE250-M1G1-15S	15	0	0	1	1	51
BSE250-G2-12S	12	0	0	0	2	51
BSE250-M1-30S	30	0	0	1	0	60.5
BSE250-G1-2S1/20S	20	2	0	0	1	60.5
BSE250-M1G1-6S1/10S	10	6	0	1	1	60.5
BSE250-G2-4S1/10S	10	4	0	0	2	60.5
BSE250-M1-40S	40	0	0	1	0	73.5
BSE250-G1-38S	38	0	0	0	1	73.5
BSE250-G2-2S1/20S	20	2	0	0	2	73.5
BSE250-M1-2S1/48S	48	2	0	1	0	89.5
BSE250-G1-4S1/40S	40	4	0	0	1	89.5
BSE250-G2-40S	40	0	0	0	2	89.5
BSE250-M1G2-2S1/30S	30	2	0	1	2	89.5

BSE1254



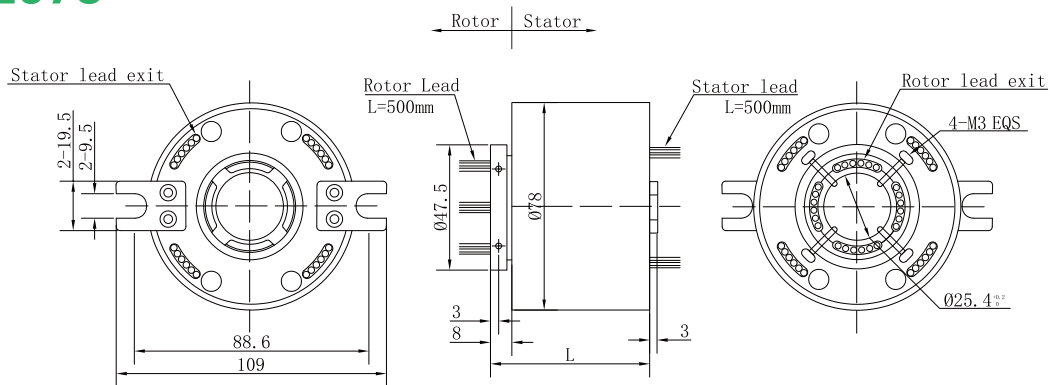
Specifications

Electrical Data		Mechanical Data	
No. Of Ethernet	1~2 channels	Connector	RJ45
No of rings	1~32rings	Inner Diameter	12.7mm
Rated Voltage	0~240 VAC/VDC	Outer Diameter	54mm
Rated Current	5A/ring, 10A/ring	Working Speed	0~250rpm
Lead Size	Sliver plated Teflon colour coded AWG22(5A), AWG16(10A)	Working Temperature	-20°C~+80°C
Lead Length	Standard 500mm (adjustable)	Working Humidity	60% RH or higher
Dielectric Strength	500VAC@50HZ,60S	Housing Material	Engineering plastic
Insulation Resistance	500MΩ/500VDC	Contact material	Precious material
Electrical Noise	< 0.01Ω	IP rating	IP51~IP68

Model list

Model	Power Ring (10A)	Signal Ring (5A)	100M Ethernet	1000M Ethernet	Length (mm)
BSE1254-M1-6S1	-	6	1	-	52.4
BSE1254-G1	-	-	-	1	52.4
BSE1254-M1-12S1	-	12	1	-	66.2
BSE1254-G1-6S1	-	6	-	1	66.2
BSE1254-M2-8S1	-	8	2	-	80
BSE1254-G1-12S1	-	12	-	1	80
BSE1254-G2	-	-	-	2	80
BSE1254-M2-18S1	-	18	2	-	105.2
BSE1254-G1-20S1	-	20	-	1	105.2
BSE1254-G2-14S1	-	14	-	2	105.2
BSE1254-G2-10S1	-	10	-	2	105.2
BSE1254-G2-8S1	-	8	-	2	105.2
BSE1254-G2-4S1	-	4	-	2	105.2
BSE1254-G1-28S1	-	28	-	1	125
BSE1254-G2-20S1	-	20	-	2	122
BSE1254-G2-32S1	-	32	-	2	155.6

BSE2578



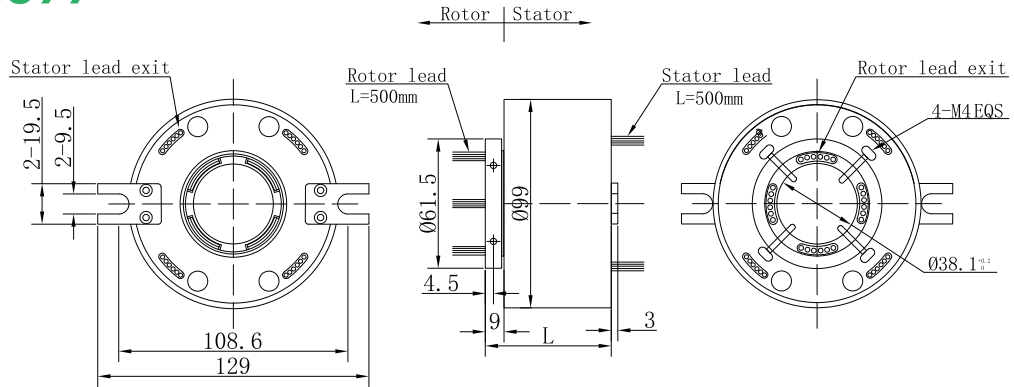
Specifications

Electrical Data		Mechanical Data	
No. Of Ethernet	1~2 channels	Connector	RJ45
No of rings	1~38rings	Inner Diameter	25.4mm
Rated Voltage	0~240 VAC/VDC	Outer Diameter	78mm
Rated Current	5A/ring, 10A/ring	Working Speed	0-250rpm
Lead Size	Sliver plated Teflon colour coded AWG22(5A), AWG16(10A)	Working Temperature	-20°C~+80°C
Lead Length	Standard 500mm (adjustable)	Working Humidity	60% RH or higher
Dielectric Strength	500VAC@50HZ,60S	Housing Material	Engineering plastic
Insulation Resistance	500MΩ/500VDC	Contact material	Precious material
Electrical Noise	< 0.01Ω	IP rating	IP51~IP68

Model list

Model	Power Ring (10A)	Signal Ring (5A)	100M Ethernet	Gigabit Ethernet	Length (mm)
BSE2578-M1-6P	6	-	1	-	79
BSE2578-M1-7S1	-	7	1	-	79
BSE2578-M2	-	-	2	-	79
BSE2578-G1	-	-	-	1	79
BSE2578-M1-12P	12	-	1	-	103
BSE2578-M1-6P/12S1	6	12	1	-	103
BSE2578-M1-24S1	-	24	1	-	103
BSE2578-M2-6P	6	-	2	-	103
BSE2578-M2-12S1	-	12	2	-	103
BSE2578-G1-6P	6	-	-	1	103
BSE2578-G1-12S1	-	12	-	1	103
BSE2578-M1-18P	18	-	1	-	127
BSE2578-M1-12P/12S1	12	12	1	-	127
BSE2578-M1-6P/24S1	6	24	1	-	127
BSE2578-M1-36S1	-	36	1	-	127
BSE2578-M2-12P	12	-	2	-	127
BSE2578-M2-6P/12S1	6	12	2	-	127
BSE2578-M2-24S1	-	24	2	-	127
BSE2578-G1-12P	12	-	-	1	127
BSE2578-G1-6P/12S1	6	12	-	1	127
BSE2578-G1-18S1	-	18	-	1	127
BSE2578-M1G1-6P	6	-	1	1	127
BSE2578-M1G1-12S1	-	12	1	1	127
BSE2578-G2-6P/10S1	6	10	-	2	127
BSE2578-G2-24S1	-	24	-	2	127

BSE3899



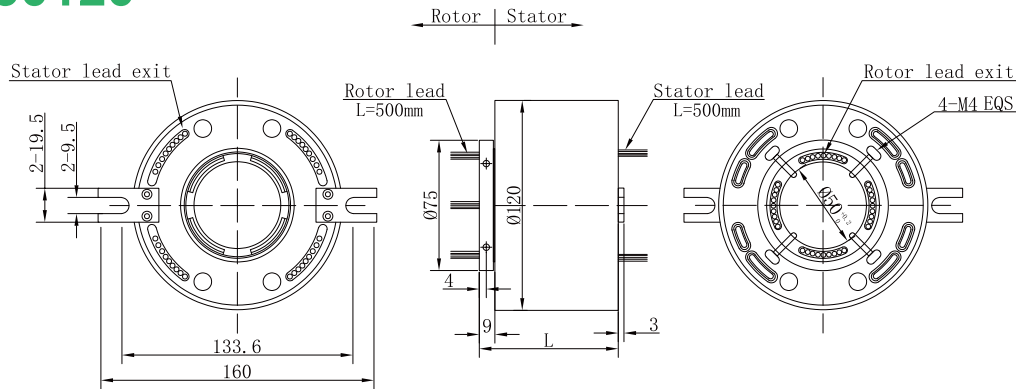
Specifications

Electrical Data		Mechanical Data	
No. Of Ethernet	1~2 channels	Connector	RJ45
No of rings	1~30rings	Inner Diameter	38.1mm
Rated Voltage	0~240 VAC/VDC	Outer Diameter	99mm
Rated Current	5A/ring, 15A/ring	Working Speed	0-250rpm
Lead Size	Sliver plated Teflon colour coded AWG22(5A), AWG16(10A), AWG14(15A)	Working Temperature	-20°C~+80°C
Lead Length	Standard 500mm (adjustable)	Working Humidity	60% RH or higher
Dielectric Strength	500VAC@50HZ,60S	Housing Material	Engineering plastic
Insulation Resistance	500MΩ/500VDC	Contact material	Precious material
Electrical Noise	< 0.01Ω	IP rating	IP51~IP68

Model list

Model	Power Ring (10A/15A)	Signal Ring (5A)	100M Ethernet	Gigabit Ethernet	Length (mm)
BSE3899-M1	-	-	1	-	55
BSE3899-M1-6P	6	-	1	-	79
BSE3899-M1-12S1	-	12	1	-	79
BSE3899-M2	-	-	2	-	79
BSE3899-G1	-	-	-	1	79
BSE3899-M1-12P	12	-	1	-	103
BSE3899-M1-6P/12S1	6	12	1	-	103
BSE3899-M1-24S1	-	24	1	-	103
BSE3899-M2-6P	6	-	2	-	103
BSE3899-M2-12S1	-	12	2	-	103
BSE3899-M1G1	-	-	1	1	103
BSE3899-G1-6P	6	-	-	1	103
BSE3899-G1-6P/12S1	6	12	-	1	103
BSE3899-G2-18S1	-	18	-	2	103
BSE3899-M1-18P	18	-	1	-	127
BSE3899-M1-12P/12S1	12	12	1	-	127
BSE3899-M1-6P/24S1	6	24	1	-	127
BSE3899-M1-36S1	-	36	1	-	127
BSE3899-M2-12P	12	-	2	-	127
BSE3899-M2-6P/12S1	6	12	2	-	127
BSE3899-M2-24S1	-	24	2	-	127
BSE3899-M1G1-6P	6	-	1	1	127
BSE3899-M1G1-12S1	-	12	1	1	127
BSE3899-G1-12P	12	-	-	1	127
BSE3899-G1-6P/12S1	6	12	-	1	127
BSE3899-G1-24S1	-	24	-	1	127
BSE3899-G2-12P/6S1	12P	6	-	2	127
BSE3899-G2-30S1	-	30	-	2	127

BSE50120



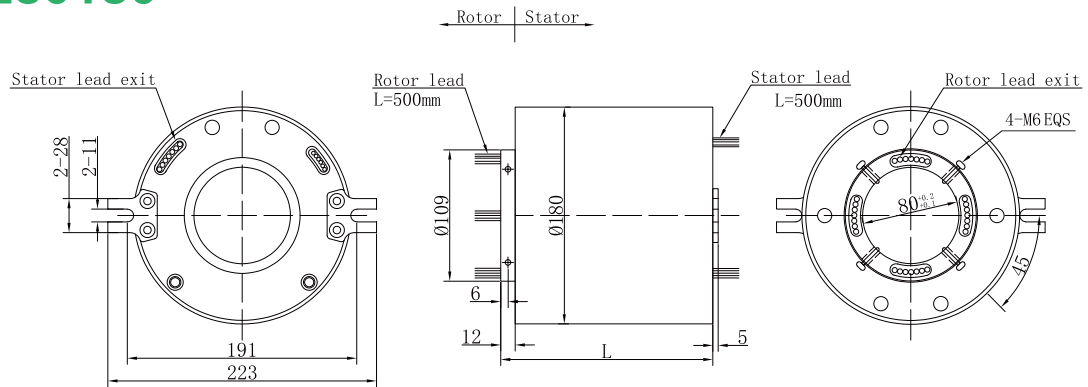
Specifications

Electrical Data		Mechanical Data	
No. Of Ethernet	1~2 channels	Connector	RJ45
No of rings	1~72rings	Inner Diameter	50mm
Rated Voltage	0~240 VAC/VDC	Outer Diameter	120mm
Rated Current	5A/ring, 10A/ring, 15A/ring,20A/ring	Working Speed	0-250rpm
Lead Size	Sliver plated Teflon colour coded AWG22(5A),AWG16(10A),AWG14(15A/20A)	Working Temperature	-20°C~+80°C
Lead Length	Standard 500mm (adjustable)	Working Humidity	60% RH or higher
Dielectric Strength	500VAC@50HZ,60S	Housing Material	Engineering plastic
Insulation Resistance	500MΩ/500VDC	Contact material	Precious material
Electrical Noise	< 0.01Ω	IP rating	IP51~IP68

Model list

Model	Power Ring (10A~20A)	Signal Ring (5A)	100M Ethernet	Gigabit Ethernet	Length (mm)
BSE50120-M1-6P	6	-	1	-	99.5
BSE50120-M1-12S1	-	12	1	-	99.5
BSE50120-G1-3S1	-	-	-	2	99.5
BSE50120-M1-12P	12	-	1	-	129.5
BSE50120-M1-6P/12S1	6	12	1	-	129.5
BSE50120-M1-24S1	-	24	1	-	129.5
BSE50120-M2-6P	6	-	2	-	129.5
BSE50120-M2-12S1	-	12	2	-	129.5
BSE50120-G1-8P	8	-	-	1	129.5
BSE50120-M1-18P	18	-	1	-	159.5
BSE50120-M1-12P/12S1	12	12	1	-	159.5
BSE50120-M1-6P/24S1	6	24	1	-	159.5
BSE50120-M2-12P	12	-	2	-	159.5
BSE50120-M3-6P	6	-	3	-	159.5
BSE50120-M3-12S1	-	12	3	-	159.5
BSE50120-1G-10P	8	12	-	1	159.5
BSE50120-2G-10P	10	-	-	2	159.5
BSE50120-M1-12P/12S1	12	12	1	-	189.5
BSE50120-M1-6P/24S1	6	24	1	-	189.5
BSE50120-M1-72S1	-	72	1	-	189.5
BSE50120-M2-12P	12	-	2	-	189.5
BSE50120-M2-6P/24S1	6	24	2	-	189.5
BSE50120-M2-48S1	-	48	2	-	189.5
BSE50120-M3-6P	6	-	3	-	189.5
BSE50120-G1-6P	6	-	-	1	189.5
BSE50120-G2-6P/18S1	6	18	-	2	189.5
BSE50120-G2-12P/30S1	12	30	-	2	189.5

BSE80180



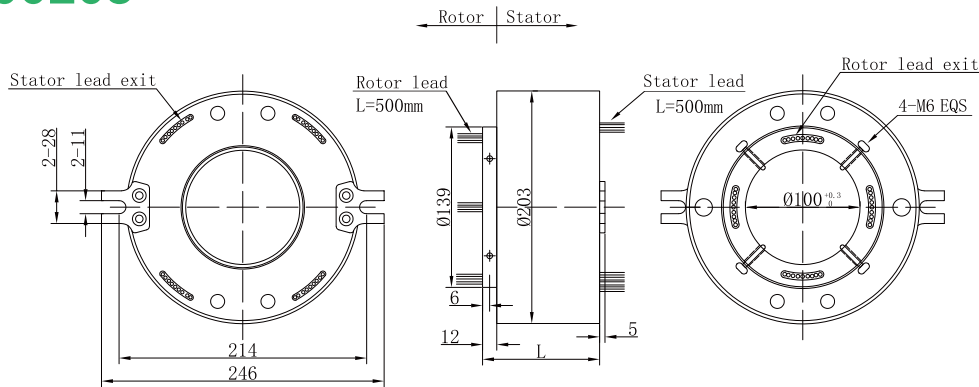
Specifications

Electrical Data		Mechanical Data	
No. Of Ethernet	1~2 channels	Connector	RJ45
No of rings	1~72rings	Inner Diameter	80mm
Rated Voltage	0~240 VAC/VDC	Outer Diameter	180mm
Rated Current	5A/ring, 10A/ring, 15A/ring,20A/ring	Working Speed	0~250rpm
Lead Size	Sliver plated Teflon colour coded AWG22(5A),AWG16(10A),AWG14(15A/20A)	Working Temperature	-20°C~+80°C
Lead Length	Standard 500mm (adjustable)	Working Humidity	60% RH or higher
Dielectric Strength	500VAC@50HZ,60S	Housing Material	Engineering plastic
Insulation Resistance	500MΩ/500VDC	Contact material	Precious material
Electrical Noise	< 0.01Ω	IP rating	IP51~IP68

Model list

Model	Power Ring (10A~20A)	Signal Ring (5A)	100M Ethernet	Gigabit Ethernet	Length (mm)
BSE80180-M1-6P	6	-	1	-	118.5
BSE80180-M1-12S1	-	12	1	-	118.5
BSE80180-G2	-	-	-	2	118.5
BSE80180-M1-6P/12S1	6	12	1	-	148.5
BSE80180-M2-6P	6	-	2	-	148.5
BSE80180-M2-12S1	-	12	2	-	148.5
BSE80180-G1-6P/8S1	6	8	-	1	148.5
BSE80180-G2-3P/4S1	3	4	-	2	148.5
BSE80180-M1-12P/12S1	12	12	1	-	178.5
BSE80180-M1-36S1	-	36	1	-	178.5
BSE80180-M2-12P	12	-	2	-	178.5
BSE80180-M2-6P/12S1	6	12	2	-	178.5
BSE80180-M3-6P	6	-	3	-	178.5
BSE80180-M3-12S1	-	12	3	-	178.5
BSE80180-1G-8P/12S1	8	12	-	1	178.5
BSE80180-2G-10P	10	-	-	2	178.5
BSE80180-M1-6P/24S1	6	24	1	-	208.5
BSE80180-M1-72S1	-	72	1	-	208.5
BSE80180-M2-12P	12	-	2	-	208.5
BSE80180-M2-6P/24S1	6	24	2	-	208.5
BSE80180-G1-12P/18S1	12	18	-	1	208.5
BSE80180-G2-6P/30S1	6	30	-	2	208.5
BSE80180-G3-12P/18S1	12	18	-	3	208.5
BSE80180-G3-6P/12S1	6	12	-	4	208.5

BSE100203

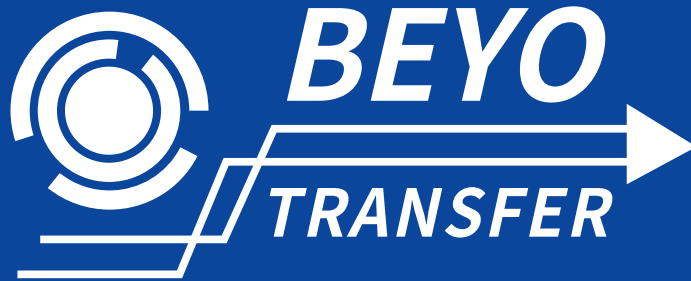


Specifications

Electrical Data		Mechanical Data	
No. Of Ethernet	1~2 channels	Connector	RJ45
No of rings	1~72rings	Inner Diameter	100mm
Rated Voltage	0~240 VAC/VDC	Outer Diameter	203mm
Rated Current	5A/ring, 10A/ring, 15A/ring,20A/ring	Working Speed	0-250rpm
Lead Size	Sliver plated Teflon colour coded AWG22(5A),AWG16(10A),AWG14(15A/20A)	Working Temperature	-20°C~+80°C
Lead Length	Standard 500mm (adjustable)	Working Humidity	60% RH or higher
Dielectric Strength	500VAC@50HZ,60S	Housing Material	Engineering plastic
Insulation Resistance	500MΩ/500VDC	Contact material	Precious material
Electrical Noise	< 0.01Ω	IP rating	IP51~IP68

Model list

Model	Power Ring (10A~20A)	Signal Ring (5A)	100M Ethernet	Gigabit Ethernet	Length (mm)
BSE100203-M1-6P	6	-	1	-	238.5
BSE100203-M1-12S1	-	12	1	-	238.5
BSE100203-G2	-	-	-	2	238.5
BSE100203-M1-6P/12S1	6	12	1	-	238.5
BSE100203-M2-6P	6	-	2	-	238.5
BSE100203-M2-12S1	-	12	2	-	238.5
BSE100203-G1-6P/8S1	6	8	-	1	238.5
BSE100203-G2-3P/4S1	3	4	-	2	238.5
BSE100203-M1-12P/12S1	12	12	1	-	268.5
BSE100203-M1-36S1	-	36	1	-	268.5
BSE100203-M2-12P	12	-	2	-	268.5
BSE100203-M2-6P/12S1	6	12	2	-	268.5
BSE100203-M3-6P	6	-	3	-	268.5
BSE100203-M3-12S1	-	12	3	-	268.5
BSE100203-1G-8P/12S1	8	12	-	1	268.5
BSE100203-2G-10P	10	-	-	2	268.5
BSE100203-M1-6P/24S1	6	24	1	-	298.5
BSE100203-M1-72S1	-	72	1	-	298.5
BSE100203-M2-12P	12	-	2	-	298.5
BSE100203-M2-6P/24S1	6	24	2	-	298.5
BSE100203-G1-12P/18S1	12	18	-	1	298.5
BSE100203-G2-6P/30S1	6	30	-	2	298.5
BSE100203-G3-12P/18S1	12	18	-	3	298.5
BSE100203-G3-6P/12S1	6	12	-	4	298.5
BSE100203-G3-6P/12S1	3	6	-	5	298.5



Hangzhou Beyotransfer Technology Co.,Ltd.

Website: www.beyotrans.com

Email: info@beyotrans.com

Telephone: 86 571 86018068

Phone: 86 15988839994

WhatsApp: 86 15988839994

Address: No.2433 Building 6 Xiyueting

Huanlecheng, Nanyuan Street,

Hangzhou 311199, Zhejiang China